

Super Heavy Payload Robot

FANUC Robot M-2000iA

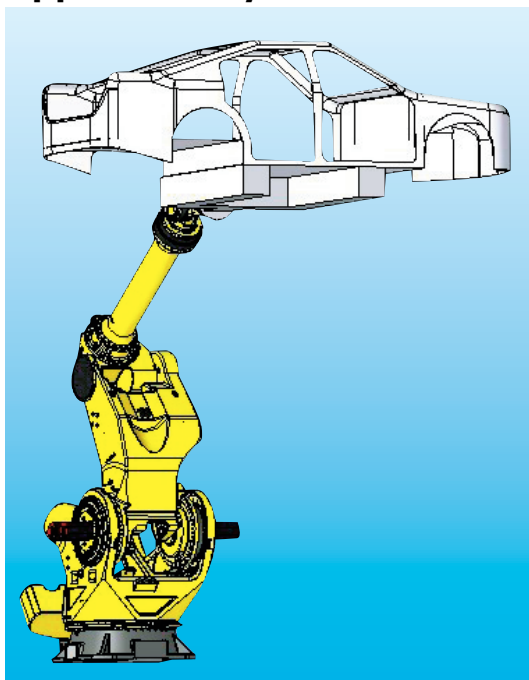


FEATURES

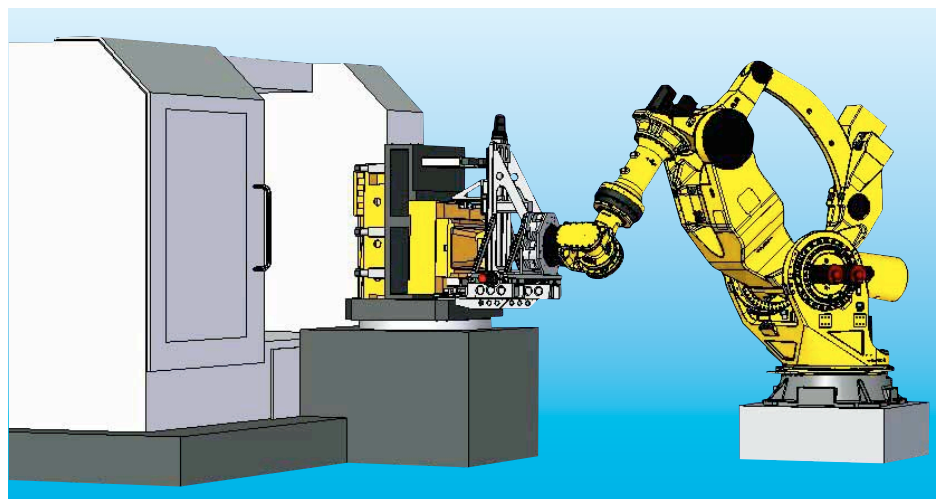
"Super Heavy Payload Robot" FANUC Robot M-2000iA is the heavy payload robot whose wrist payload capacity is 900kg –1350kg.

- Two models are available to meet a variety of applications.
 - FANUC Robot M-2000iA/1200
This model is a heavy payload type which has 1350kg payload capacity. (with option) This model can transfer a heavy work piece of 1 ton alone that needed two synchronized robots in the past.
 - FANUC Robot M-2000iA/900L
This model is a long arm type which has 900kg payload capacity and 4.7m maximum reach. The 6.2m vertical stroke can be applied to lifting car body instead of specifically designed lifter at automotive plant.
- The wrist can be used safely in adverse environments because it has IP67-equivalent resistance to environmental conditions (dust and dips).
- M-2000iA is controlled by the newest R-30iA controller. Customer can use the latest robot control functions.

Application system



Car body lifting by M-2000iA/900L

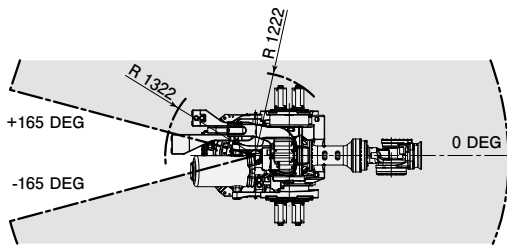


Set casting on machining jig by M-2000iA/1200

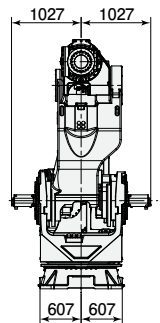
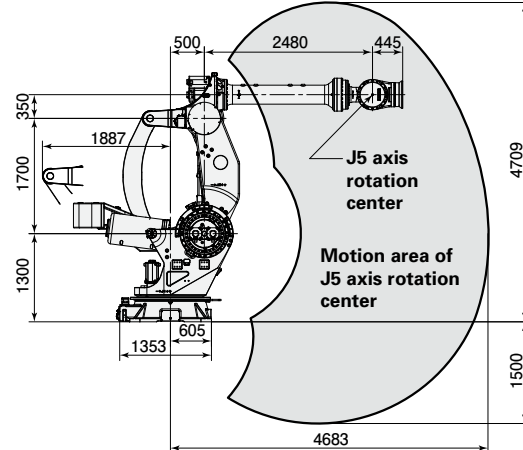
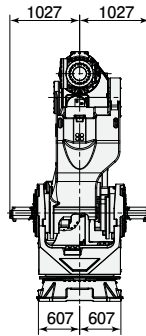
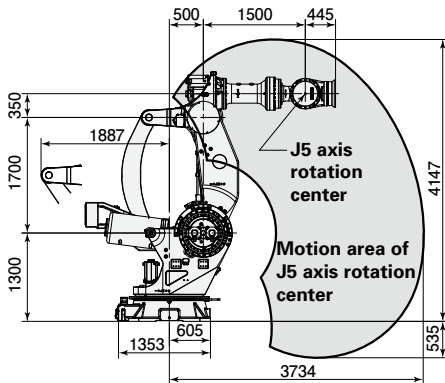
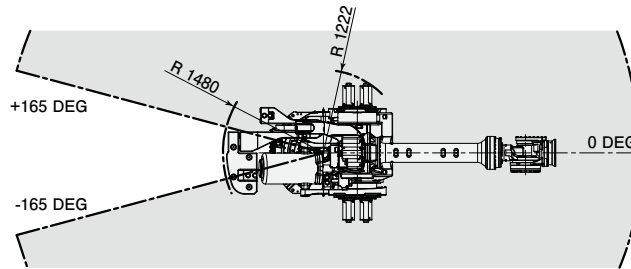
FANUC Robot M-2000iA

Operating space

M-2000iA/1200



M-2000iA/900L



Specifications

Item	Specifications	
	M-2000iA/1200	M-2000iA/900L
Type	Articulated Type	
Controlled axes	6 axes (J1, J2, J3, J4, J5, J6)	
Reach	3.73m	4.68m
Installation	Floor	
Motion range (Maximum speed) (Note1)	J1 axis rotation	330° (45°/sec) 5.76 rad (0.79 rad/sec)
	J2 axis rotation	160° (30°/sec) 2.79 rad (0.52 rad/sec) 160° (25°/sec) 2.79 rad (0.44 rad/sec) (Note2)
	J3 axis rotation	165° (30°/sec) 2.88 rad (0.52 rad/sec)
	J4 axis wrist rotation	720° (50°/sec) 12.57 rad (0.87 rad/sec)
	J5 axis wrist swing	240° (50°/sec) 4.19 rad (0.87 rad/sec)
	J6 axis wrist rotation	720° (70°/sec) 12.57 rad (1.22 rad/sec)
Max. load capacity at wrist	Max. 1200kg Max. 1350kg (Note2)	Max 900kg
Max. load capacity at J2 base	550kg	
Max. load capacity at J3 arm	50kg	
Allowable load moment at wrist	J4 axis	14700 N·m 1500 kgf·m
	J5 axis	14700 N·m 1500 kgf·m
	J6 axis	4900 N·m 500 kgf·m
Allowable load inertia at wrist	J4 axis	2989 kg·m ² 30500 kgf·cm·sec ²
	J5 axis	2989 kg·m ² 30500 kgf·cm·sec ²
	J6 axis	2195 kg·m ² 22400 kgf·cm·sec ²
Drive method	Electric servo drive by AC servo motor	
Repeatability	± 0.3 mm	± 0.5 mm
Mass (Note3)	8,600 kg	9,600 kg
Installation environment	Ambient temperature : 0~45°C Ambient humidity : Normally 75%RH or less (No dew, nor frost allowed) Short term Max. 95%RH or less (within one month) Vibration : 0.5G or less	

Note 1) In case of short distance motion, the axis speed doesn't reach maximum one.

Note 2) With 1350kg option.

Note 3) Without controller.

FANUC LTD

• Headquarters Oshino-mura, Yamanashi 401-0597, Japan Phone: 81-555-84-5555 Fax: 81-555-84-5512 <http://www.fanuc.co.jp>

Overseas Affiliated Companies

FANUC Robotics America, Inc.
FANUC Robotics Europe S.A.
FANUC KOREA CORPORATION
BEIJING-FANUC Mechatronics CO., LTD
FANUC INDIA PRIVATE LIMITED
SHANGHAI-FANUC Robotics CO., LTD.
FANUC THAI LIMITED
TATUNG-FANUC ROBOTICS COMPANY
FANUC MECHATRONICS (MALAYSIA) SDN. BHD.
FANUC SINGAPORE PTE. LTD.
FANUC OCEANIA PTY. LIMITED
FANUC SOUTH AFRICA (PROPRIETARY) LIMITED

3900 West Hamlin Road, Rochester Hills, MI 48309-3253, U.S.A.
Zone Industrielle, L-6468 Echternach, Grand-Duché de Luxembourg
310-1, Bonsan, Jinyong-up, Kimhae City, Kyongnam, Korea
Xinxi Zhong Road No.7, Shangdi Information Industry Base, Haidian District, Beijing 100085, P. R. China
41-A, Electronics City, KEONICS, Bangalore, 560 100, India
No. 500 Jinyu Road, Jin Qiao, Pu Dong, Shanghai, China
59/3 Soi Sukhumvit 39, Sukhumvit Road, Khwaeng Klontong, Nua, Khet Wattana, Bangkok 10110, Thailand
22 Chungshan N.Rd., 3rd Sec. Taipei, Taiwan 104, R.O.C.
No.32, Jalan Pengacara U1/48, Temasya Industrial Park, Section U1, Glenmarie, 40150 Shah Alam, Selangor Darul Ehsan, Malaysia
No.1 Teban Gardens Crescent, Singapore 608919, Singapore
10 Healey Circuit, Huntingwood, NSW 2148, Australia
17 Loper Ave. Airport Industrial Ests, Spartan Ext.2 P.O.Box 219, Isand 1600, Republic of South Africa

Phone: 1-248-377-7000 Fax: 1-248-377-7477
Phone: 352-727777-1 Fax: 352-727777-403
Phone: 82-55-346-0122 Fax: 82-55-346-2548
Phone: 86-10-6298-4739 Fax: 86-10-6298-4741
Phone: 91-80-2852-0057 Fax: 91-80-2852-0051
Phone: 86-21-5032-7700 Fax: 86-21-5032-7711
Phone: 66-2-662-6111 Fax: 66-2-662-6120
Phone: 886-2-2592-5252 Fax: 886-2-2598-4565
Phone: 60-3-7628-0110 Fax: 60-3-7628-0220
Phone: 65-6567-8566 Fax: 65-6566-5937
Phone: 61-2-8822-4600 Fax: 61-2-8822-4666
Phone: 27-11-392-3610 Fax: 27-11-392-3615

• All specifications are subject to change without notice.
• No part of this catalog may be reproduced in any form.
• The products in this catalog are controlled based on Japan's "Foreign Exchange and Foreign Trade Law". The export from Japan may be subject to an export license by the government of Japan. Further, re-export to another country may be subject to the license of the government of the country from where the product is re-exported. Furthermore, the product may also be controlled by re-export regulations of the United States government. Should you wish to export or re-export these products, please contact FANUC for advice.